

SLINGSHOT



 ONE-LOCK™

INSTRUCTION MANUAL

SLINGSHOT

RAPID TRACK SYSTEM

Quick Start Guide/ Instruction Manual

There are three ways to attach your One-Lock mast to the board.

Using the RTS (Rapid Track Kit): This is the fastest way to take your foil on and off. Once set up, attachment of the mast to the board can be done in seconds.

*Not all boards are compatible with the RTS kit.

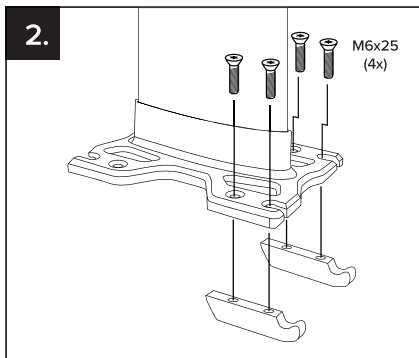
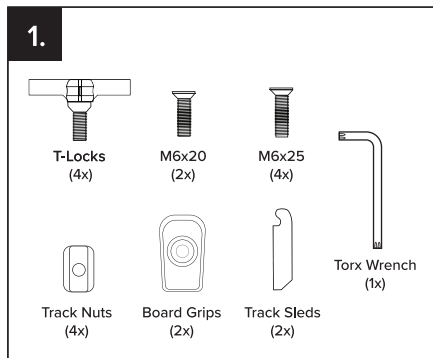
If, after following the directions below for the RTS set up, you find it is still hard to slide the sleds into your tracks, use one of the below two options.

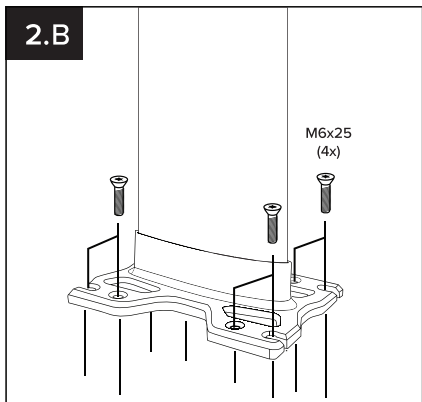
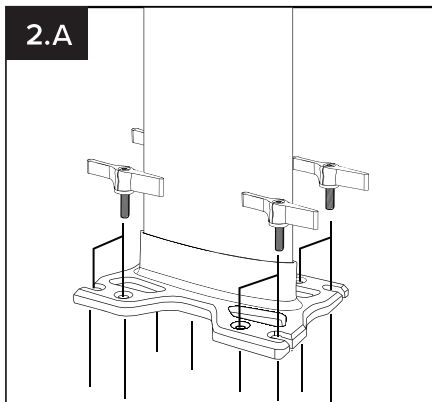
Using the four T-Locks(2A.): This is the easiest way to set up your foil when wanting to be able to adjust quickly without a tool. Moving your foil while on the water or coming in to change can be done within seconds. To minimize drag, lift up the top of the T-locks and position them in line with water flow.

Using the standard method (2B.): 4 M6x25mm screws using the torx wrench provided. This provides the least amount of drag but is the longest to set up.

#1.Package includes: 4x T-Locks, 4x M6x25 screws, 2x M6x20 screws, 2x Board Grips, 2x Track Sleds, and 4x Track nuts.

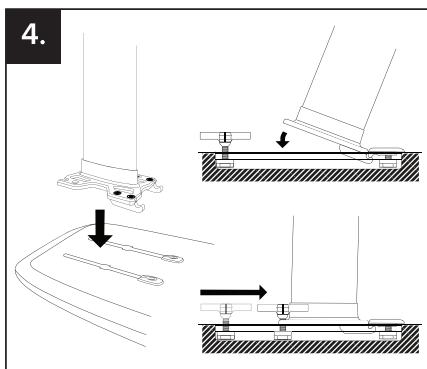
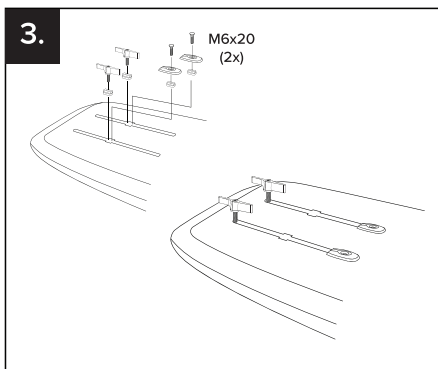
#2.Install the track sleds to the pedestal base, keeping the screws loose (use the included M6x25). Note* Board grips and Track sleds are not required if using four T-Locks “Fig.2A”. Use of the standard M6 screws for mounting the foil is another option “Fig 2B”.





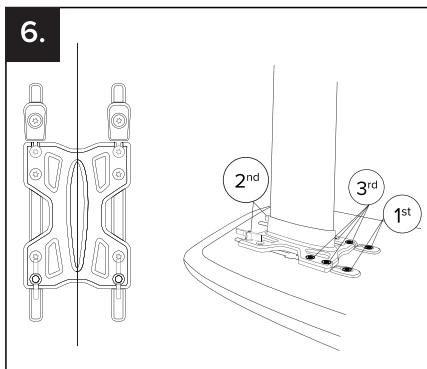
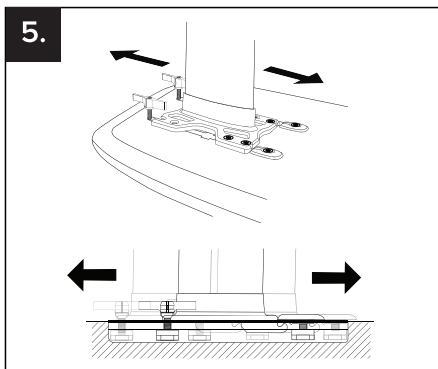
#3. Install the board grips and T-Locks with Track nuts into the board, again keeping the screws loose (use the included M6x20).

#4. Carefully install the mast at a forward angle into the board and seat the track sleds in place under the board grips, then lean the mast into place.



#5. Now is time you can adjust where you want your foil positioned in the track.

#6. First tighten the board grips followed by the two rear T-Locks. Lastly, tighten the pedestal screws attached to the sleds. Then perform an alignment/fit check by loosening the T-Locks and removing the mast, then re-insert and tighten down your T-Locks. You are now ready to ride with your RTS system.

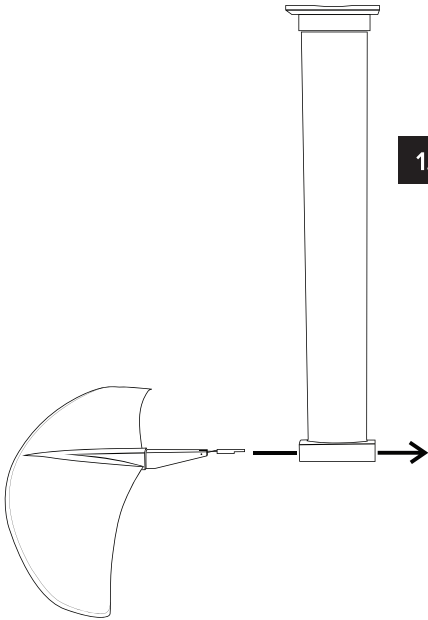


SLINGSHOT

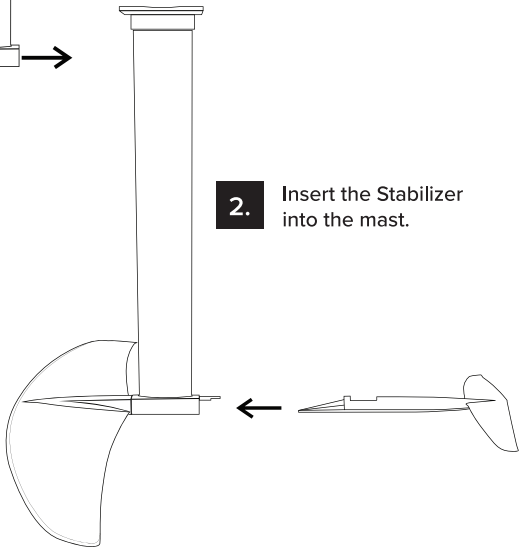
ONE LOCK FOIL SYSTEM

Quick Start Guide/ Instruction Manual

1. Insert the Front wing into the mast

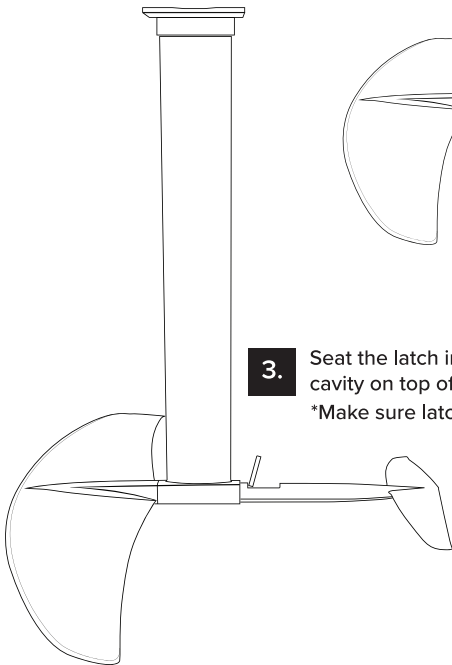


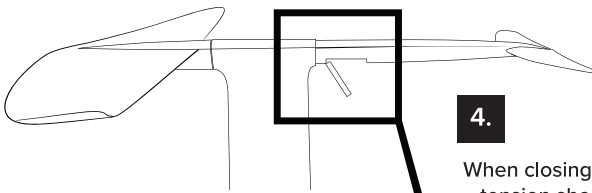
2. Insert the Stabilizer into the mast.



3. Seat the latch into the cavity on top of the fuselage.

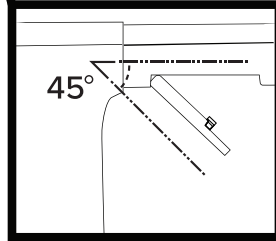
*Make sure latch is all the way into latch cavity.



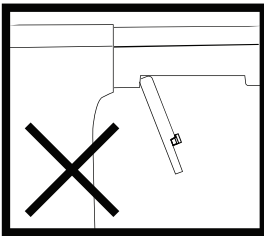


4.

When closing the latch, tension should start at a 45° angle.

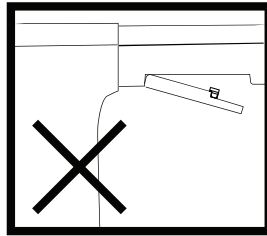


TOO TIGHT



Too much latch pressure will result in a crushed latch.

TOO LOOSE

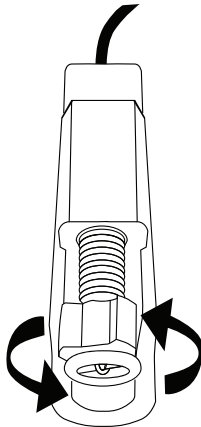


Too little latch pressure will result in less seating and movement in the system.

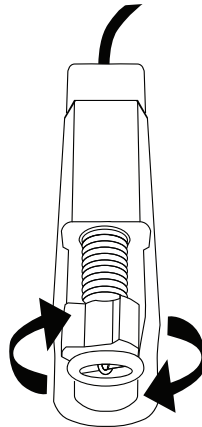
Note* During the first use, close, open and tighten latch 4 times to properly stretch the Dyneema line and learn about how to adjust the system.

5.

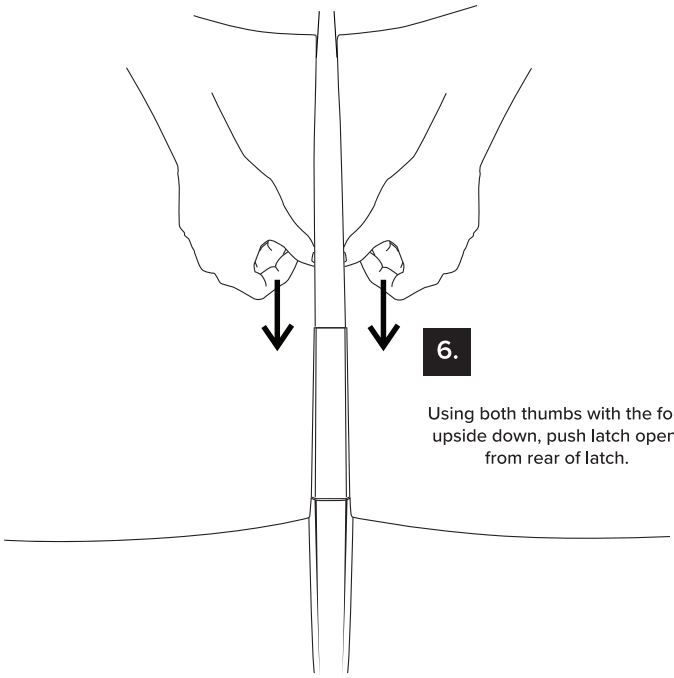
Check latch often to ensure it has the proper tension. Adjustment of the latch tension can be done by backing out the screw



To tighten the latch, twist the latch pin counter clockwise



To loosen the latch, twist the latch pin clockwise

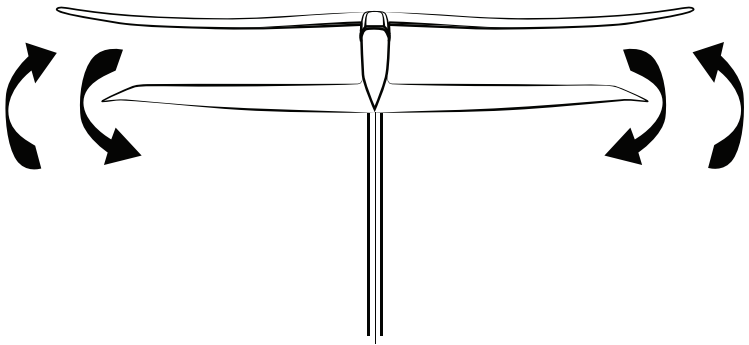


6.

Using both thumbs with the foil upside down, push latch open from rear of latch.

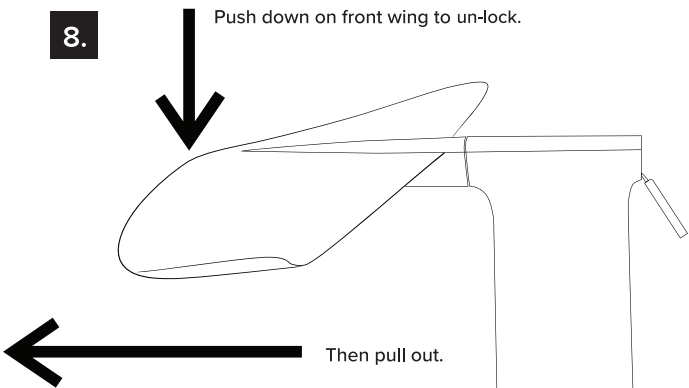
7.

Once latch is open, twist stabilizer in circular movement to unseat and back out. Do not try to pull the stabilizer straight out.



8.

Push down on front wing to un-lock.



Then pull out.

ASSUMPTION OF RISK

Use of this product and any of its components involves certain inherent risks, dangers and hazards, which can result in serious personal injury and death. In using this product, you agree to assume and accept any and all known and unknown risks of injury while using this equipment. In the event of your death or incapacity, your agreement shall be effective and binding upon your heirs, next of kin, executors, administrators, assigns and representatives.

DISCLAIMER

Slingshot's product warranty is the exclusive warranty associated with its products. **SLINGSHOT EXPRESSLY DISCLAIMS ANY AND ALL OTHER EXPRESS OR IMPLIED WARRANTIES, INCLUDING WARRANTY OF MERCHANTABILITY OR FITNESS FOR A PARTICULAR PURPOSE.** In no event shall Slingshot be liable for any direct, indirect, punitive, incidental, special, or consequential damages, to property or life, whatsoever arising out of or connected with the use or misuse of Slingshot products.

WARNING

DO NOT USE THIS SLINGSHOT PRODUCT UNLESS YOU HAVE READ AND UNDERSTOOD THESE WARNINGS AND INSTRUCTIONS WHICH ARE INTENDED FOR YOUR SAFETY AND PROTECTION. THIS INFORMATION MAY BE SUBJECT TO CHANGE AT ANY TIME. FOR CURRENT UPDATES, PLEASE VISIT OUR WEBSITE AT: www.slingshotsports.com. IF YOU ARE UNDER THE AGE OF 18, YOU SHOULD HAVE YOUR PARENT OR GUARDIAN READ THESE WARNINGS AND INSTRUCTIONS AND SHOULD NOT USE THIS PRODUCT UNLESS YOU ARE UNDER THE PROPER GUIDANCE AND SUPERVISION OF SUCH A PERSON.

Slingshot takes safety seriously. Our designers, sales staff, managers, and other employees use our products frequently. We believe our products are reasonably safe for their intended use when used as directed and with common sense and good judgment. With that said, there are certain risks inherent in the various sports we design products for. Those risks are part of what makes our sports entertaining and challenging, and we need to accept those risks as a part of the sport. No product design can eliminate those risks, at least not without severely limiting the enjoyment we get from our sports. We outline some of these inherent risks below, but the list is not intended to be exhaustive or comprehensive. We also outline here and on our website ways to minimize the risks, but again the list is not exhaustive and comprehensive. Slingshot wants you to think about what you are doing, to plan and use good judgment, and to stay safe, all while having fun.



CONTACT US:
WWW.SLINGSHOTSPORTS.COM
INFO@SLINGSHOTSPORTS.COM
(USA) 877.775.4832
(INT) 509.427.4950